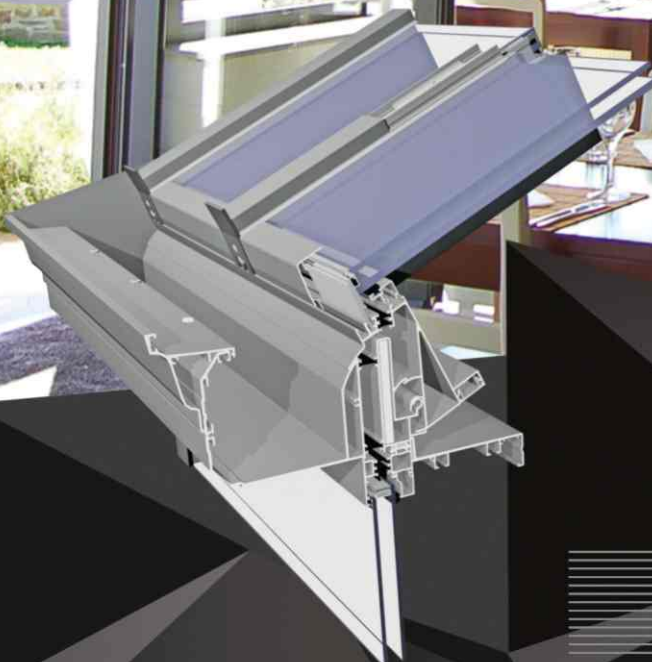


VR2000+

ALIVER 2000+



A thermally insulated system used to design roofs of garden rooms, mainly single and double-pitched roofs.

VR2000+

A thermally insulated system used to design roofs of garden rooms, mainly single and double-pitched roofs.

The system is fully compatible with other Aliplast systems used to construct infills of winter garden walls, including non-openable glazing, lift-and-slide doors, tilt-and-slide doors, accordion doors and windows.

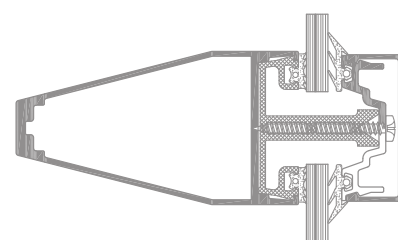
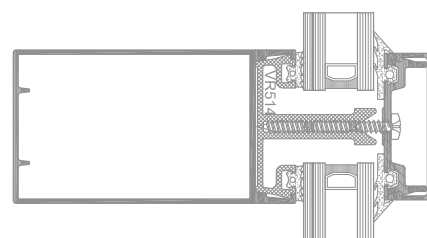
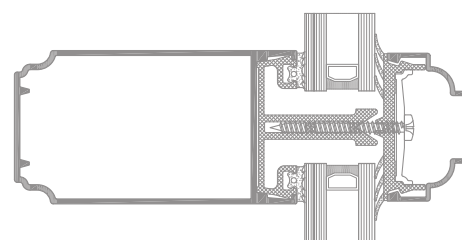
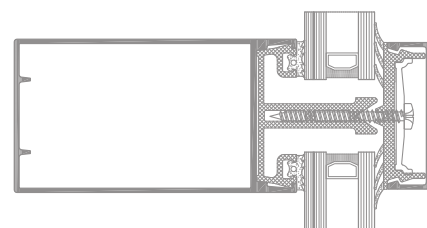
The system features thermal performance of $\sim 2.0 \text{ W/m}^2\text{K}$.

Technical description of the system:

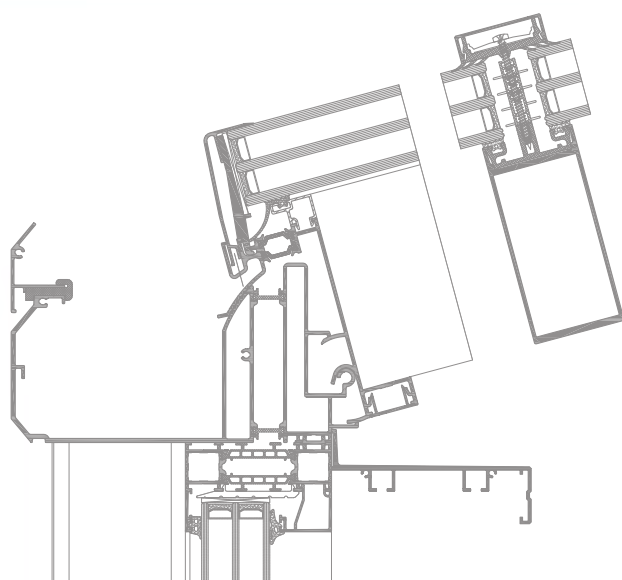
- load-bearing element of the structure located inside (below the infill), anchors fixed to a depth of 105 mm or 125 mm
- rafters and external masking caps available as soft (rounded) and with distinct rectangular shapes
- variety of gutter shapes, option to install gutter mesh guards to prevent undesired accumulation
- available system discharge chutes, optionally to be enclosed
- option to reinforce the rafter and gutter beams using aluminium or steel shaped sections
- the system offers articulated joints in the gutter and roof ridge beams, engineered ties, gutter and discharge chute connectors
- roof plane pitch 5-45°
- Aliver 2000+ is suitable for infills made of wall polycarbonate as well as glass (single, double and triple glazed)

The Aliver 2000+ system satisfies requirements relating to profile thermal insulation, rainwater and air tightness. The system also guarantees proper ventilation provided appropriate ventilation equipment is used, regardless of weather conditions.

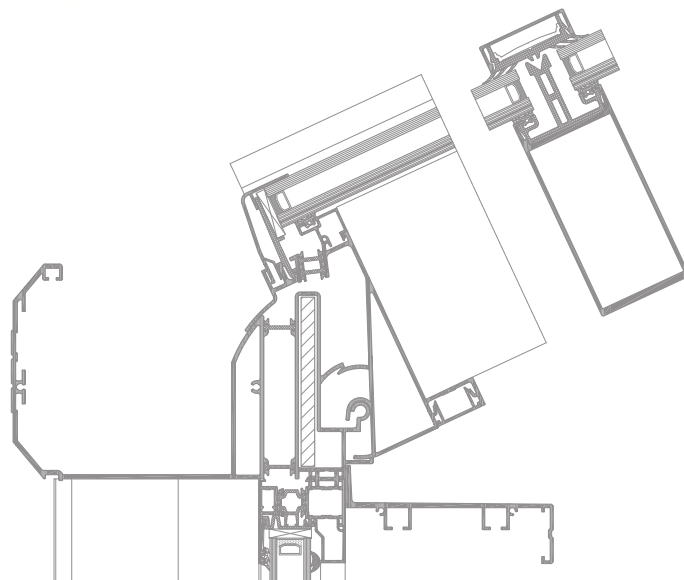
Wide range of colours – RAL palette (Qualicoat 1518), texture colours, Aliplast Wood Colour Effect (wood-like colours), Aliplast Loft View – colours imitating stone surfaces (Qualideco PL-0001), anodized colour (Qualanod 1808), bi-colour.



available options of external and internal strips



joint passing through the wall and the roof of the VR2000+ structure



joint passing through the wall and the roof of the VR2000+ structure